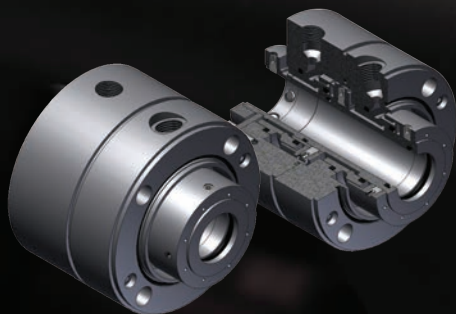




T.R-DBP
MECHANICAL SEALS



SEAL APPLICATION

- Centrifugal High Duty Pumps
- Centrifugal API Process Pumps
- Centrifugal General Purpose Pumps
- Positive Displacement Pumps

PERFORMANCE CAPABILITIES

- Pressure** : Vacuum to 25 bar
- Temperature** : -50 °C to 220 °C
- Sliding Velocity** : Up to 30 m/s
- Sizes** : 25 mm to 200 mm

DESIGN OVERVIEW

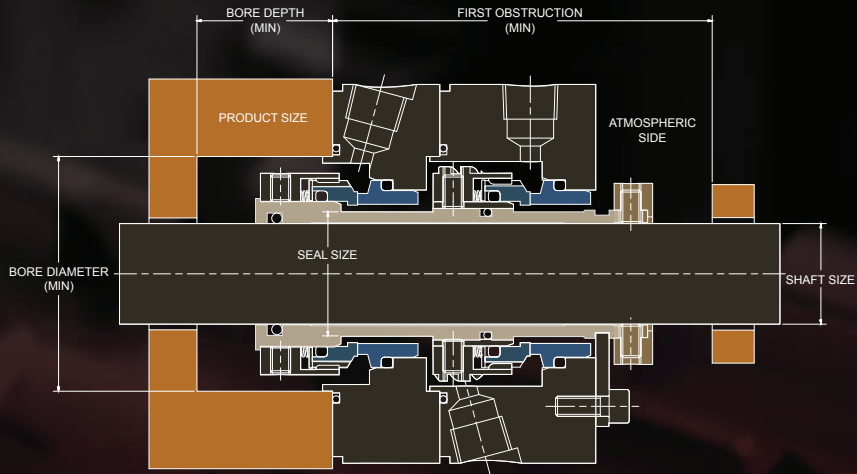
ProSEAL® T.R-DBP is a dual balanced pusher seal for general services, primarily for application in the petrochemical and chemical industry

DESIGN FEATURES

- Dual balanced pusher seal design
- Complete cartridge for ease of installation
- Dual balanced design. Can be operated with pressurized or non-pressurized dual seal option
- Multiple spring design for uniform load, shorter overall length and larger axial displacement
- Stationary spring design with minimum rotating mass for high sliding velocity capability
- Special design with pumping device for forced circulation, better cooling efficiency and better heat removal capability
- Spring protected design. Eliminating exposure of spring from the process fluid

MATERIAL SPECIFICATION

Seal Face	Carbon Graphite, Silicon Carbide, Tungsten Carbide
Secondary Seal	Fluorocarbon (FKM), Nitrile (NBR), Perfluorocarbon (FFKM), Silicone (VMQ), Ethylene Propylene (EPDM), Polytetrafluoroethylene (PTFE)
Spring	316 Stainless Steel, Alloy C-276
Metal Component	316 Stainless Steel, Alloy C-276



Seal Size *	Shaft Diameter (Max)	Bore Diameter (Min)	Bore Depth (Min)	First Obstruction (Min)
25	20	43	20	46
30	23	46	22	51
35	28	51	22	51
40	33	56	27	63
45	38	61	27	63
50	43	73	27	63
55	48	78	28	66
60	53	83	28	66
65	58	88	33	76
70	63	93	33	76
75	68	108	33	76
80	73	113	33	76
85	78	118	33	76
90	83	123	33	76
95	88	128	33	76
100	90	133	33	76
105	95	138	33	76
110	100	143	33	76
115	105	148	33	76
120	110	153	33	81
125	115	158	35	81
130	120	168	35	81
135	125	173	35	81
140	130	178	35	81
145	135	183	35	81
150	140	198	35	81
155	145	203	35	81
160	150	208	36	85
165	155	213	36	85
170	160	218	36	85
175	165	223	36	85
180	170	228	36	85
185	175	233	36	85
190	180	238	36	85
195	185	243	36	85
200	190	248	36	85

* All dimensions are in mm